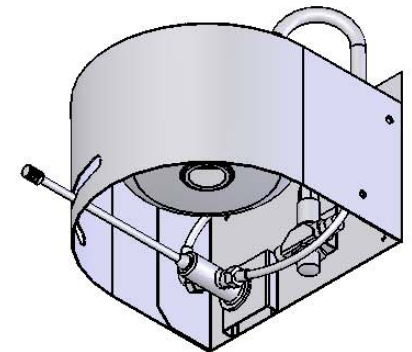
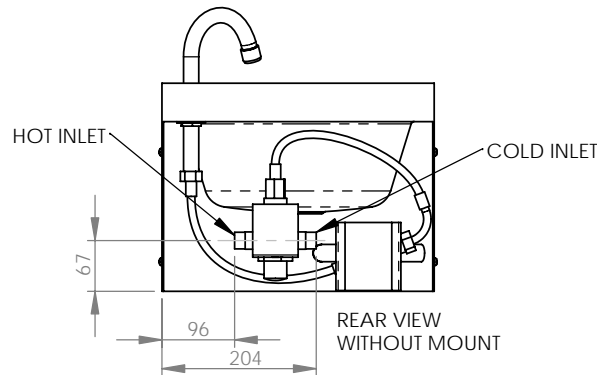
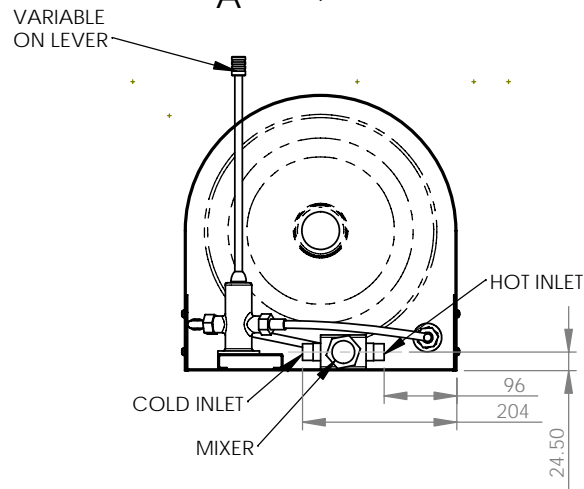
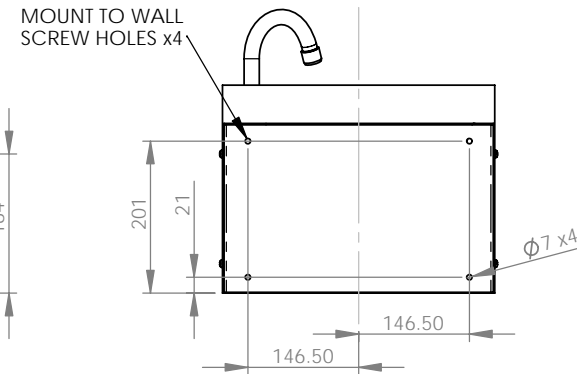
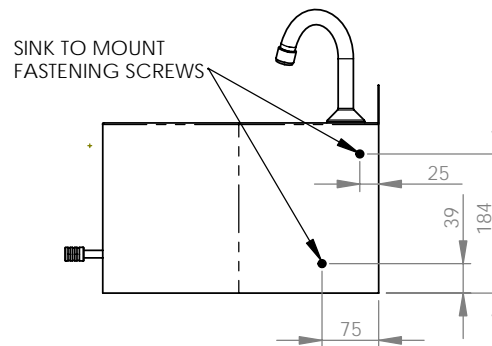
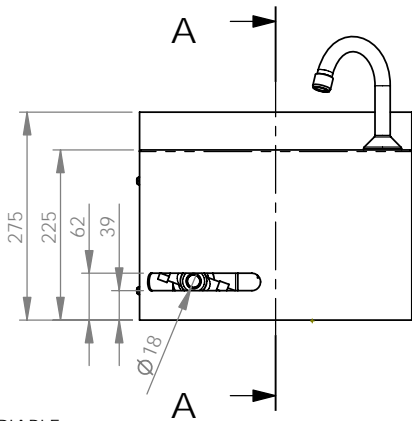
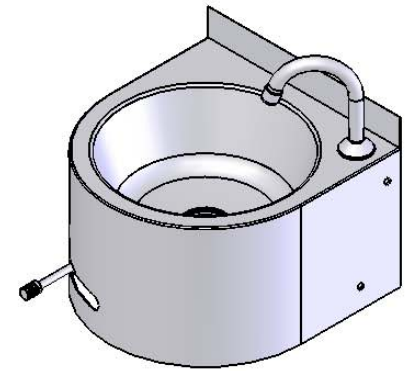


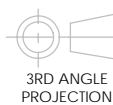
SECTION A-A



DO NOT SCALE
DIMENSIONS IN MILLIMETERS
DRAFT IS 0°
TOLERANCE IS ±0.5MM
ANGULAR TOL. IS ±1°

UNLESS OTHERWISE STATED

1:10
SCALE



AB-KNEEHB-RT KNEE OPERATED SINK FITMENT 1/1 A4
PRODUCT CODE SHEET



Unit 2/19 Curtis Rd. Mulgrave, NSW 2756, Australia
T 61 2 4587 9887
F 61 2 4587 9886
E brett@clubstainless.com.au

This drawing and the design it covers are the property of CLUB STAINLESS PTY. LTD. And all information which it contains is confidential. This drawing must not be reproduced or disclosed, nor must any information taken therefrom be disclosed without prior consent in writing from AVANTECH PTY. LTD.

12/01/07	A	LJB	ORIGINAL ISSUE
DATE	ISSUE	DRAWN	DESCRIPTION